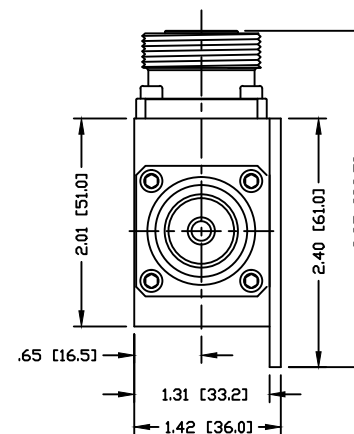
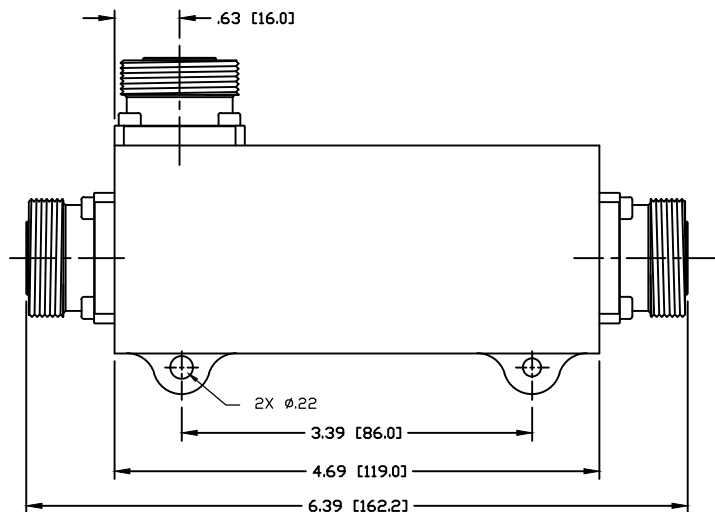


PART NO.

RFDC-10DBC-DF

REV	DESCRIPTION	DWN	DATE	APPROVED
-	ENGINEERING RELEASE	CZS	04/08/16	JDMc

**SPECIFICATIONS:**

IMPEDANCE: 50 Ohms
 OPERATION FREQUENCY BAND: 698-2700 MHz
 3RD INTERMODULATION: ≤ -155 dBc (RELATIVE TO CARRIER)
 3RD INTERMODULATION TEST METHOD: TWO+43dBm CARRIERS
 AVERAGE POWER: 200 WATT
 INSERTION LOSS: ≤ 0.7 dB@698-2700MHz
 PEAK POWER (W) MAX: 1Kw
 COUPLING: -10dB
 COUPLING TOLERANCE: ± 1.0 dB
 ISOLATION: ≥ 30 dB@698-2700MHz
 VSWR: ≤ 1.20
 INNER CONTACT PLATING: SILVER
 OUTER PLATING: WHITE BRONZE
 OPERATION TEMPERATURE: $-30^{\circ}\text{C} \sim +75^{\circ}\text{C}$
 RELATIVE HUMIDITY: UP TO 100%
 APPLICATION: INDOOR/OUTDOOR
 REGULATORY COMPLIANCE/CERTIFICATIONS: RoHS/IP67

CUSTOMER OUTLINE DRAWING						7610 MIRAMAR RD. SAN DIEGO, CA 92126 (858) 549-6340	
ALL DIMENSIONS ARE REFERENCE ONLY						DIVISION OF RF INDUSTRIES, LTD. (858) 549-6345 FAX	
UNLESS OTHERWISE SPECIFIED: DIMENSIONS ARE IN INCHES AND [MILLIMETERS]		PROPRIETARY AND CONFIDENTIAL THIS DRAWING CONTAINS INFORMATION PROPRIETARY TO RF INDUSTRIES. ANY UNAUTHORIZED USE OF THIS DRAWING IS EXPRESSLY PROHIBITED WITHOUT WRITTEN PERMISSION FROM RF INDUSTRIES. ANY VIOLATION IS PUNISHABLE UNDER U.S. COPYRIGHT LAWS.		10 dB DIRECTIONAL COUPLER 7/16 DIN FEMALE - 698-2700 MHz			
DRAWN C. ZUNIGA	04/08/16	SIZE A	CABLE GROUP	DWG NO. RFDC-10DBC-DF	REV —		
CHECKED		SCALE: NTS	ENGINEERING ID: 000000	SHEET 1 OF 1			
ORJ DRAWN C. ZUNIGA	04/08/16						