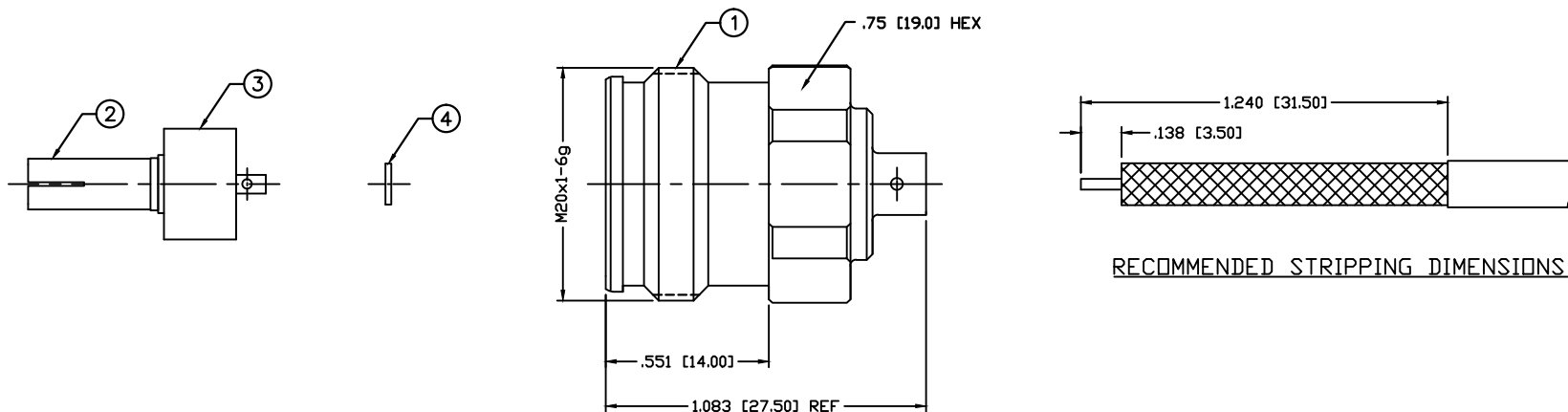


PART NO.

RFD-43F-SR2

REV	DESCRIPTION	DWN	DATE	APPROVED
-	ENGINEERING RELEASE	CZS	07/21/16	JDMc

**SPECIFICATIONS:**

IMPEDANCE: 50 OHMS
 FREQUENCY RANGE: DC-3GHz
 INSERTION LOSS: $-.01 \text{ dB} \times \sqrt{\text{FREQUENCY GHz}}$
 VSWR MAX: $<1.15:1$
 3rd ORDER IM: $\leq -160 \text{ dBc}$
 DIELECTRIC WITHSTANDING VOLTAGE: 750V/AC
 INSULATION RESISTANCE: 10000M Ω
 OPERATING TEMPERATURE: -40°C TO $+155^{\circ}\text{C}$

5	GROUND RING	1	BeCu	WHITE BRONZE
4	SPACER	1	PTFE	----
3	INSULATOR	1	PTFE	----
2	CONTACT	1	BeCu	SILVER
1	BODY	1	BRASS	WHITE BRONZE
#	DESCRIPTION	QTY	MATERIAL	FINISH

CUSTOMER
OUTLINE DRAWINGALL DIMENSIONS
ARE REFERENCE ONLYUNLESS OTHERWISE SPECIFIED:
DIMENSIONS ARE IN INCHES
AND [MILLIMETERS]

DRAWN	C. ZUNIGA	07/21/16
CHECKED		
ORJ DRAWN	C. ZUNIGA	07/21/16

**RoHS
COMPLIANT**

PROPRIETARY AND CONFIDENTIAL
 THIS DRAWING CONTAINS
 INFORMATION PROPRIETARY TO
 RF INDUSTRIES. ANY
 UNAUTHORIZED USE OF THIS
 DRAWING IS EXPRESSLY
 PROHIBITED WITHOUT WRITTEN
 PERMISSION FROM RF
 INDUSTRIES. ANY VIOLATION IS
 PUNISHABLE UNDER U.S.
 COPYRIGHT LAWS.

RFconnectors

7610 MIRAMAR RD.
 SAN DIEGO, CA 92126
 (858) 549-6340
 (858) 549-6345 FAX

**4.3/10 JACK
FOR TFT-402 CABLE**

SIZE	CABLE GROUP	DWG NO.	REV
A	N/A	RFD-43F-SR2	—
SCALE:	ENGINEERING ID:	SHEET 1 OF 1	
NTS	001787		