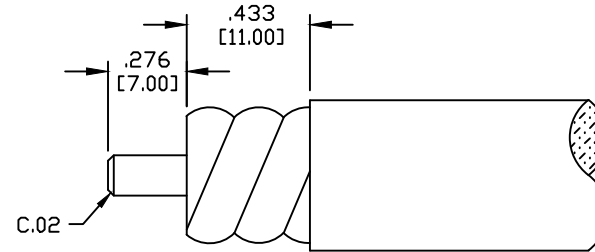
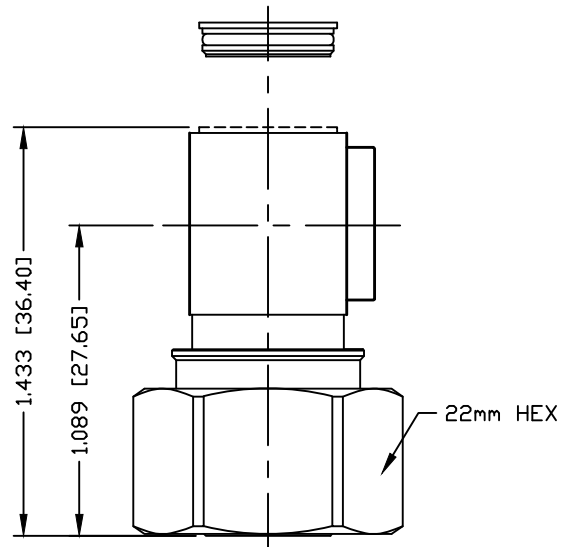


PART NO.

RFD-4195MRA-H4

REV	DESCRIPTION	DWN	DATE	APPROVED
-	ENGINEERING RELEASE	CZS	10/19/19	JDMc

RECOMMENDED STRIPPING DIMENSIONSSPECIFICATIONS:

INTERFACE: IEC61169-54
 IMPEDANCE: 50 Ohms
 FREQUENCY RANGE: 0-3 GHz
 VSWR: $\leq 1.25 @ 3\text{GHz}$
 3rd ORDER IM: $\leq -16\text{dBc}$ (RELATIVE TO CARRIER)
 3rd ORDER IM TEST METHOD: 2x43dBm CARRIERS
 DIELECTRIC WITHSTANDING VOLTAGE: 1500 V/AC
 INSULATION RESISTANCE: 5000 M Ω
 TEMPERATURE RANGE: -40°C TO 85°C
 MECHANICAL DURABILITY: 500 CYCLES
 FOR FSJ4-50B, SCF12-50J, SPF & SPO-500 CABLE

USE OF CABLE TRIM TOOL IS RECOMMENDED
USE COMPATIBLE TRIM TOOL SUCH AS TRIM-SET-S12-D01

8	COUPLING NUT	1	BRASS	WHITE BRONZE
7	O-RING	1	RUBBER	---
6	PRESS CAP	1	BRASS	WHITE BRONZE
5	O-RING	1	RUBBER	---
4	RETAINING RING	1	SST	PASSIVATED
3	PIN	1	BRASS	SILVER
2	INSULATOR	1	PTFE	---
1	BODY	1	BRASS	WHITE BRONZE
#	DESCRIPTION	QTY	MATERIAL	FINISH

CUSTOMER OUTLINE DRAWING	
ALL DIMENSIONS ARE REFERENCE ONLY	
UNLESS OTHERWISE SPECIFIED: DIMENSIONS ARE IN INCHES AND [MILLIMETERS]	
DRAWN C. ZUNIGA	10/19/19
CHECKED	
ORJ DRAWN C. ZUNIGA	10/19/19

**RoHS
COMPLIANT**

PROPRIETARY AND CONFIDENTIAL
 THIS DRAWING CONTAINS
 INFORMATION PROPRIETARY TO
 RF INDUSTRIES. ANY
 UNAUTHORIZED USE OF THIS
 DRAWING IS EXPRESSLY
 PROHIBITED WITHOUT WRITTEN
 PERMISSION FROM RF
 INDUSTRIES. ANY VIOLATION IS
 PUNISHABLE UNDER U.S.
 COPYRIGHT LAWS.

RFconnectors
 DIVISION OF RF INDUSTRIES, LTD. (858) 549-6345 FAX
 RFINDUSTRIES.COM
 7610 MIRAMAR RD.
 SAN DIEGO, CA 92126
 (858) 549-6340

4.1/9.5 MALE R/A			
FOR 1/2" SUPERFLEX CORRUGATED CABLE			
CABLE GROUP H4	DWG # RFD-4195MRA-H4	REVISION ---	
FORMAT A	SCALE NTS	CONTROL # 000000	SHEET 1 OF 1