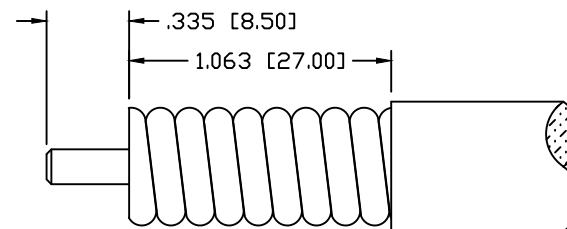
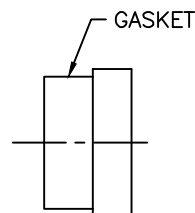
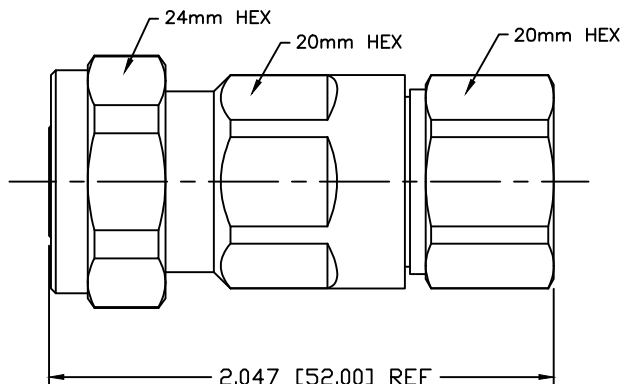


PART NO.

RFD-4195MC-H4

REV	DESCRIPTION	DWN	DATE	APPROVED
A	UPDATED DWG THROUGHOUT	CZS	08/16/18	JDMc



RECOMMENDED STRIPING DIMENSIONS

SPECIFICATIONS:

IMPEDANCE: 50 Ohms

FREQUENCY RANGE: 0-3 GHz

VSWR: <1.15:1 THRU 3GHz

PIM: <-155 dBc

DIELECTRIC WITHSTANDING VOLTAGE: 2500V/AC

INSULATION RESISTANCE: 10000 MOHMS

TEMPERATURE RANGE: -40°C TO 155°C

MECHANICAL DURABILITY: 500 CYCLES

FOR ANDREW FSJ4-50B, RFS SCF12-50J

10	SHELL	1	BRASS	WHITE BRONZE
9	BACK NUT	1	BRASS	WHITE BRONZE
8	GASKET	1	RUBBER	----
7	RETAINING RING	1	BeCu	WHITE BRONZE
6	O-RING	1	RUBBER	----
5	CLAMP	1	BRASS	WHITE BRONZE
4	BEAD	1	ABS	----
3	PIN	1	PHOSPHOR BRONZE	SILVER
2	INSULATOR	1	PTFE	----
1	BODY	1	BRASS	WHITE BRONZE
#	DESCRIPTION	QTY	MATERIAL	FINISH

CUSTOMER
OUTLINE DRAWINGALL DIMENSIONS
ARE REFERENCE ONLYUNLESS OTHERWISE SPECIFIED:
DIMENSIONS ARE IN INCHES
AND [MILLIMETERS]DRAWN
C. ZUNIGA 08/16/18
CHECKEDORJ DRAWN
JDM 8/31/16**RoHS
COMPLIANT**PROPRIETARY AND CONFIDENTIAL
THIS DRAWING CONTAINS
INFORMATION PROPRIETARY TO
RF INDUSTRIES. ANY
UNAUTHORIZED USE OF THIS
DRAWING IS EXPRESSLY
PROHIBITED WITHOUT WRITTEN
PERMISSION FROM RF
INDUSTRIES. ANY VIOLATION IS
PUNISHABLE UNDER U.S.
COPYRIGHT LAWS.**RFconnectors**7610 MIRAMAR RD.
SAN DIEGO, CA 92126
(858) 549-6340
DIVISION OF RF INDUSTRIES, LTD. (858) 549-6345 FAX**4.1/9.5 MALE CLAMP**

CAPTIVE PIN - FOR 1/2" SUPER FLEX CABLE

SIZE	CABLE GROUP	DWG NO.	REV
A	H4	RFD-4195MC-H4	A
SCALE:	ENGINEERING ID:	SHEET 1 OF 1	
NTS	001787		