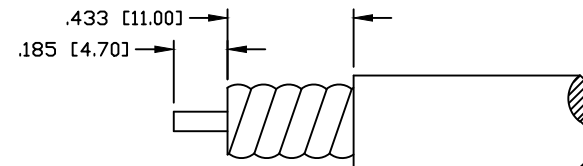
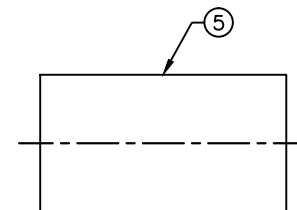
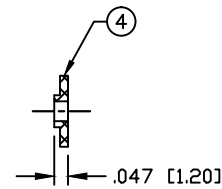
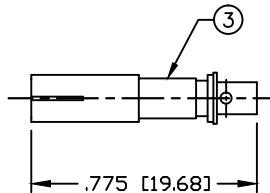
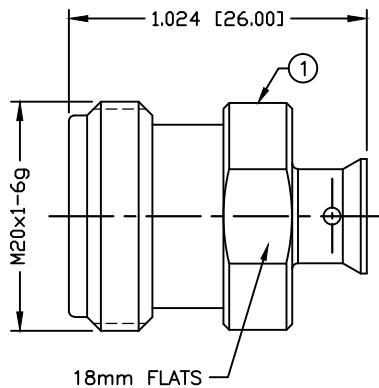


PART NO.

RFD-4195F-HPL

REV	DESCRIPTION	DWN	DATE	APPROVED
-	ENGINEERING RELEASE	CZS	05/23/17	JDMc



RECOMMENDED STRIPING DIMENSIONS

SPECIFICATIONS:

IMPEDANCE: 50 Ohms
 FREQUENCY RANGE: 0-3 GHz
 VSWR: <1.15:1 THRU 3 GHz
 DIELECTRIC WITHSTANDING VOLTAGE: 750V/AC
 PIM: ≤ -155 dBc
 INSULATION RESISTANCE: 5000M Ω
 TEMPERATURE RANGE: -40°C TO 155°C
 MECHANICAL DURABILITY: 500 CYCLES
 FOR 1/4" SUPERFLEX CBL.

5	TUBING	1	HEAT SHRINK	---
4	SPACER	1	PTFE	---
3	CONTACT	1	BeCu	SILVER
2	INSULATOR	1	PTFE	---
1	BODY	1	BRASS	WHITE BRONZE
#	DESCRIPTION	QTY	MATERIAL	FINISH

CUSTOMER OUTLINE DRAWING	
ALL DIMENSIONS ARE REFERENCE ONLY	
UNLESS OTHERWISE SPECIFIED: DIMENSIONS ARE IN INCHES AND [MILLIMETERS]	
DRAWN C. ZUNIGA	05/23/17
CHECKED	
ORJ DRAWN C. ZUNIGA	05/23/17

**RoHS
COMPLIANT**

PROPRIETARY AND CONFIDENTIAL
 THIS DRAWING CONTAINS
 INFORMATION PROPRIETARY TO
 RF INDUSTRIES, ANY
 UNAUTHORIZED USE OF THIS
 DRAWING IS EXPRESSLY
 PROHIBITED WITHOUT WRITTEN
 PERMISSION FROM RF
 INDUSTRIES. ANY VIOLATION IS
 PUNISHABLE UNDER U.S.
 COPYRIGHT LAWS.

RFconnectors

7610 MIRAMAR RD.
 SAN DIEGO, CA 92126
 (858) 549-6340
 DIVISION OF RF INDUSTRIES, LTD. (858) 549-6345 FAX

4.1-9.5 JACK SOLDER

SIZE	CABLE GROUP	DWG NO.	REV
A	HPL	RFD-4195F-HPL	---
SCALE: NTS	ENGINEERING ID: 000000	SHEET 1 OF 1	