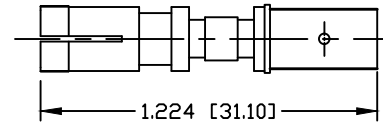
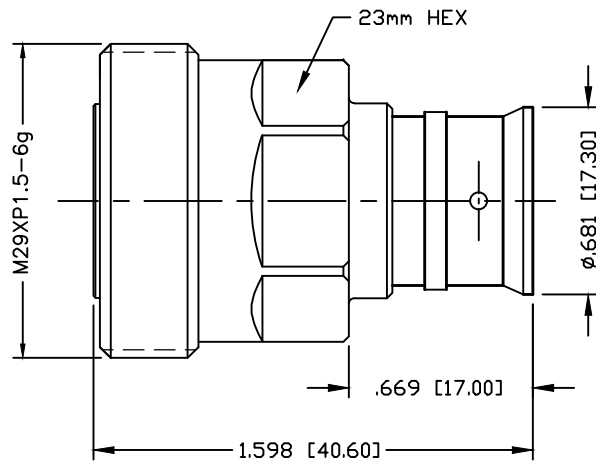
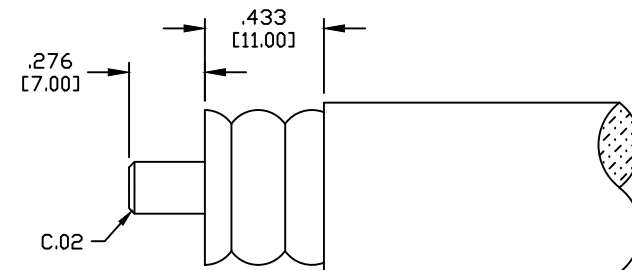
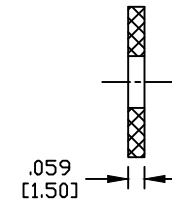


PART NO.

RFD-1625DS-H1

REV	DESCRIPTION	DWN	DATE	APPROVED
-	ENGINEERING RELEASE	CZS	10/19/19	JDMc

SOLDER ONLYRECOMMENDED STRIPPING DIMENSIONSSPECIFICATIONS:

INTERFACE: IEC61169-4
 IMPEDANCE: 50 Ohms
 FREQUENCY RANGE: 0-6 GHz
 VSWR: ≤ 1.25 @ 3GHz / ≤ 1.35 @ 5GHz
 3rd ORDER IM: ≤ -16 dBc (RELATIVE TO CARRIER)
 3rd ORDER IM TEST METHOD: 2x43dBm CARRIERS
 INSULATION RESISTANCE: 5000M Ω
 TEMPERATURE RANGE: -40°C TO 85°C
 MECHANICAL DURABILITY: 500 CYCLES
 FOR LCF12-50JFN, LDF4-50A, ICA12-50JPL & PD353784 CABLE

USE OF CABLE TRIM TOOL IS RECOMMENDED
USE COMPATIBLE TRIM TOOL SUCH AS: TRIM-SET-C12-C02

4	INSULATOR	1	PTFE	----
3	CONTACT	1	PHOSPHOR BRONZE	SILVER
2	INSULATOR	1	PTFE	----
1	BODY	1	BRASS	WHITE BRONZE
#	DESCRIPTION	QTY	MATERIAL	FINISH

CUSTOMER OUTLINE DRAWING	
ALL DIMENSIONS ARE REFERENCE ONLY	
UNLESS OTHERWISE SPECIFIED: DIMENSIONS ARE IN INCHES AND [MILLIMETERS]	

DRAWN C. ZUNIGA	10/19/19
CHECKED	
ORJ DRAWN C. ZUNIGA	10/19/19

RoHS
COMPLIANT

PROPRIETARY AND CONFIDENTIAL
 THIS DRAWING CONTAINS
 INFORMATION PROPRIETARY TO
 RF INDUSTRIES. ANY
 UNAUTHORIZED USE OF THIS
 DRAWING IS EXPRESSLY
 PROHIBITED WITHOUT WRITTEN
 PERMISSION FROM RF
 INDUSTRIES. ANY VIOLATION IS
 PUNISHABLE UNDER U.S.
 COPYRIGHT LAWS.

RFconnectors
 DIVISION OF RF INDUSTRIES, LTD. (858) 549-6345 FAX

RFINDUSTRIES.COM
 7610 MIRAMAR RD.
 SAN DIEGO, CA 92126
 (858) 549-6340
 (858) 549-6345 FAX

7/16 DIN FEMALE, SOLDER
 FOR 1/2" FLEX CORRUGATED CABLE

CABLE GROUP H1	DWG # RFD-1625DS-H1	REVISION ---
FORMAT A	SCALE NTS	CONTROL # 000000
		SHEET 1 OF 1