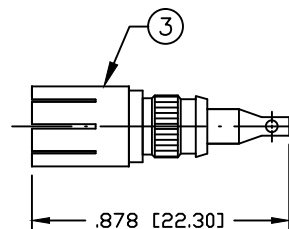
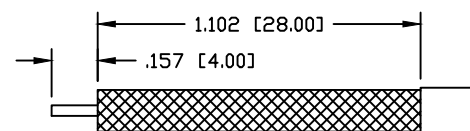
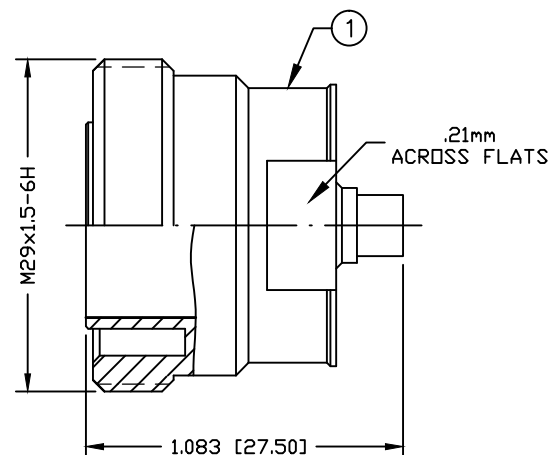
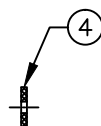


PART NO.

**RFD-1625-SR2**

REV	DESCRIPTION	DWN	DATE	APPROVED
-	ENGINEERING RELEASE	CZS	08/08/16	JDMc

SOLDER ONLYRECOMMENDED STRIPPING DIMENSIONS**SPECIFICATIONS:**

INTERFACE: IEC61169-4  
 IMPEDANCE: 50 Ohms  
 FREQUENCY RANGE: 0-3 GHz  
 VSWR: <1.15:1  
 3rd ORDER IM:  $\leq -155$  dBc  
 TEMPERATURE RANGE: -40°C TO 165°C  
 FOR .141 SEMI RIGID, RG-402/U & BELDEN 1673A CABLE

#	DESCRIPTION	QTY	MATERIAL	FINISH
5	TUBING (NOT SHOWN)	1	HEAT SHRINK	----
4	SPACER	1	PTFE	----
3	CONTACT	1	BeCu	SILVER
2	INSULATOR	1	PTFE	----
1	BODY	1	BRASS	WHITE BRONZE

CUSTOMER  
OUTLINE DRAWINGALL DIMENSIONS  
ARE REFERENCE ONLYUNLESS OTHERWISE SPECIFIED:  
DIMENSIONS ARE IN INCHES  
AND [MILLIMETERS]

DRAWN	C. ZUNIGA	08/08/16
CHECKED		
ORJ DRAWN	C. ZUNIGA	08/08/16

**RoHS  
COMPLIANT**

PROPRIETARY AND CONFIDENTIAL  
 THIS DRAWING CONTAINS  
 INFORMATION PROPRIETARY TO  
 RF INDUSTRIES, ANY  
 UNAUTHORIZED USE OF THIS  
 DRAWING IS EXPRESSLY  
 PROHIBITED WITHOUT WRITTEN  
 PERMISSION FROM RF  
 INDUSTRIES. ANY VIOLATION IS  
 PUNISHABLE UNDER U.S.  
 COPYRIGHT LAWS.

**RFconnectors**

7610 MIRAMAR RD.  
 SAN DIEGO, CA 92126  
 (858) 549-6340  
 (858) 549-6345 FAX

**DIN FEMALE**

DIRECT SOLDER FOR .141 SEMI-RIGID

SIZE	CABLE GROUP	DWG NO.	REV
A	SR2	<b>RFD-1625-SR2</b>	—
SCALE:	ENGINEERING ID:	SHEET 1 OF 1	
NTS	000000		