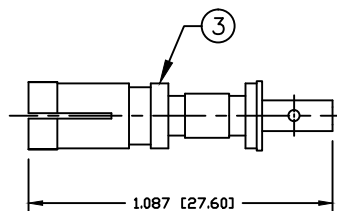
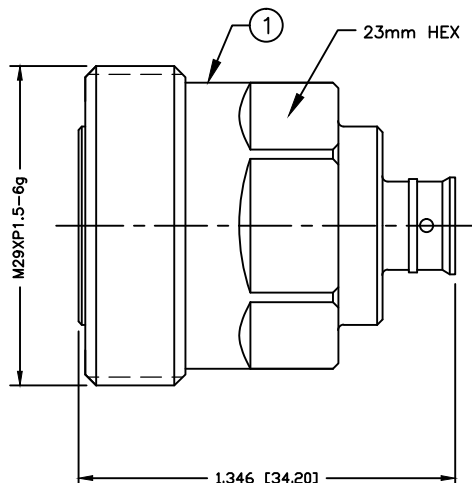


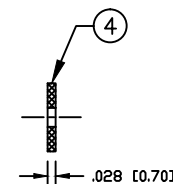
PART NO.

**RFD-1625-HPL**

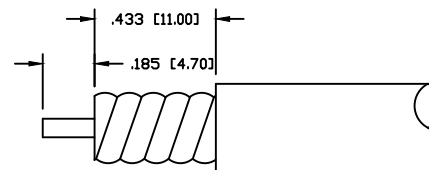
REV	DESCRIPTION	DWN	DATE	APPROVED
-	ENGINEERING RELEASE	CZS	08/08/16	JDMc



SOLDER ONLY  
CONTACT



REAR INSULATOR



RECOMMENDED STRIPPING DIMENSIONS

### SPECIFICATIONS:

INTERFACE: IEC61169-16  
 IMPEDANCE: 50 OHMS  
 FREQUENCY RANGE: DC-3 GHz  
 VSWR MAX: <1.15:1 @ 3 GHz  
 3rd ORDER IM: ≤-155 dBc  
 TEMPERATURE RANGE: -55°C TO +165°C  
 FOR SSP-250-LLP TIMES MICROWAVE

#	DESCRIPTION	QTY	MATERIAL	FINISH
4	REAR INSULATOR	1	PTFE	----
3	CONTACT	1	BeCu	SILVER
2	INSULATOR	1	PTFE	----
1	BODY	1	BRASS	WHITE BRONZE

CUSTOMER OUTLINE DRAWING	
ALL DIMENSIONS ARE REFERENCE ONLY	
UNLESS OTHERWISE SPECIFIED: DIMENSIONS ARE IN INCHES AND [MILLIMETERS]	
DRAWN C. ZUNIGA	08/08/16
CHECKED	
ORJ DRAWN C. ZUNIGA	08/08/16

**RoHS  
COMPLIANT**

PROPRIETARY AND CONFIDENTIAL  
 THIS DRAWING CONTAINS  
 INFORMATION PROPRIETARY TO  
 RF INDUSTRIES. ANY  
 UNAUTHORIZED USE OF THIS  
 DRAWING IS EXPRESSLY  
 PROHIBITED WITHOUT WRITTEN  
 PERMISSION FROM RF  
 INDUSTRIES. ANY VIOLATION IS  
 PUNISHABLE UNDER U.S.  
 COPYRIGHT LAWS.

**RFconnectors**  
 DIVISION OF RF INDUSTRIES, LTD. 7610 MIRAMAR RD.  
 SAN DIEGO, CA 92126  
 (858) 549-6340  
 (858) 549-6345 FAX

**7/16 DIN FEMALE**  
 DIRECT SOLDER

SIZE	CABLE GROUP	DWG NO.	REV
A	HPL	<b>RFD-1625-HPL</b>	—
SCALE: NTS	ENGINEERING ID: 000000	SHEET 1 OF 1	