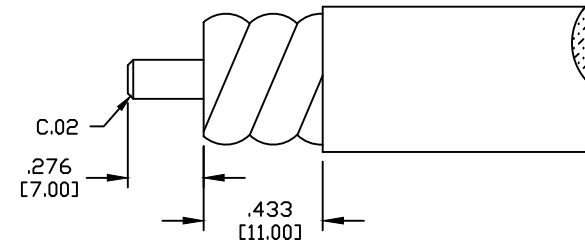
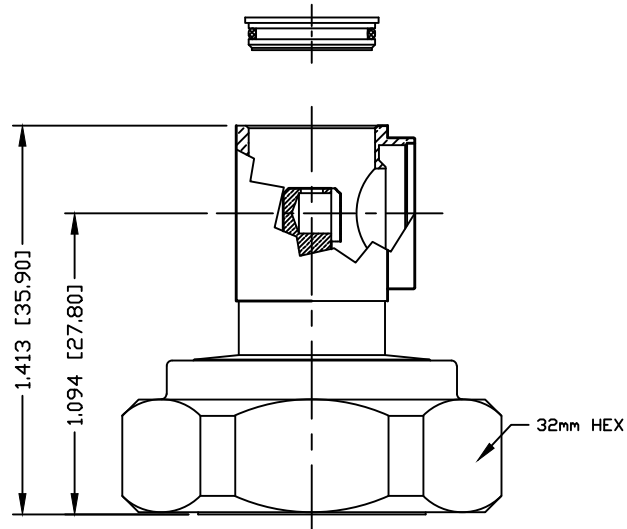


PART NO.

**RFD-1610DS-H4**

REV	DESCRIPTION	DWN	DATE	APPROVED
-	ENGINEERING RELEASE	CZS	10/19/19	JDMc

**RECOMMENDED STRIPPING DIMENSIONS**

ATTACH CABLE TO CONNECTOR BY SOLDERING THE CABLE INNER CONDUCTOR TO THE PIN INSIDE THE CONNECTOR.

**SPECIFICATIONS:**

INTERFACE: IEC61169-4  
 IMPEDANCE: 50 Ohms  
 FREQUENCY RANGE: 0-3 GHz  
 VSWR:  $\leq 1.25$  @ 3GHz  
 3rd ORDER IM:  $\leq -16\text{dBc}$  (RELATIVE TO CARRIER)  
 3rd ORDER IM TEST METHOD: 2x43dBm CARRIERS  
 DIELECTRIC WITHSTANDING VOLTAGE: 1500V/AC  
 INSULATION RESISTANCE: 10000M $\Omega$   
 TEMPERATURE RANGE: -40°C TO 85°C  
 MECHANICAL DURABILITY: 500 CYCLES  
 FOR FSJ4-50B, SCF12-50J, SPF & SPO-500 CABLE

USE OF CABLE TRIM TOOL IS RECOMMENDED  
 USE COMPATIBLE TRIM TOOL SUCH AS TRIM-SET-S12-D01

#	DESCRIPTION	QTY	MATERIAL	FINISH
8	COUPLING NUT	1	BRASS	WHITE BRONZE
7	O-RING	1	RUBBER	---
6	PRESS CAP	1	BRASS	WHITE BRONZE
5	O-RING	1	RUBBER	---
4	RETAINING RING	1	SST	PASSIVATED
3	CONTACT	1	BRASS	SILVER
2	INSULATOR	1	PTFE	---
1	BODY	1	BRASS	WHITE BRONZE

CUSTOMER OUTLINE DRAWING	
ALL DIMENSIONS ARE REFERENCE ONLY	
UNLESS OTHERWISE SPECIFIED: DIMENSIONS ARE IN INCHES AND [MILLIMETERS]	
DRAWN C. ZUNIGA	10/19/19
CHECKED	
ORJ DRAWN C. ZUNIGA	10/19/19

**RoHS COMPLIANT**

PROPRIETARY AND CONFIDENTIAL  
 THIS DRAWING CONTAINS INFORMATION PROPRIETARY TO RF INDUSTRIES. ANY UNAUTHORIZED USE OF THIS DRAWING IS EXPRESSLY PROHIBITED WITHOUT WRITTEN PERMISSION FROM RF INDUSTRIES. ANY VIOLATION IS PUNISHABLE UNDER U.S. COPYRIGHT LAWS.

**RFconnectors**  
 DIVISION OF RF INDUSTRIES, LTD. (858) 549-6340 FAX  
 RFINDUSTRIES.COM  
 7610 MIRAMAR RD.  
 SAN DIEGO, CA 92126  
 (858) 549-6340

7/16 DIN PLUG, R/A			
FOR 1/2" SUPERFLEX CORRUGATED CABLE			
CABLE GROUP	DWG #	REVISION	
H4	<b>RFD-1610DS-H4</b>	---	
FORMAT	SCALE	CONTROL #	SHEET 1 OF 1
A	NTS	000000	