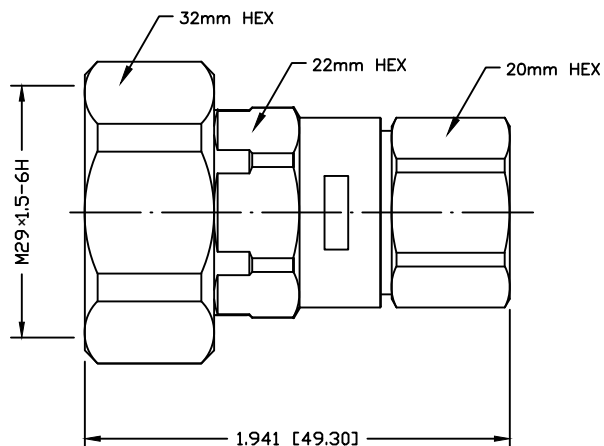


PART NO.

RFD-1601C-H1

REV	DESCRIPTION	DWN	DATE	APPROVED
-	ENGINEERING RELEASE	CZS	08/08/16	JDMc



USE OF CABLE TRIM TOOL IS RECOMMENDED
USE COMPATIBLE TRIM TOOL SUCH AS TRIM-ICA12-C02

SPECIFICATIONS:

INTERFACE: IEC61169-4
 IMPEDANCE: 50 OHMS
 FREQUENCY RANGE: DC-3 GHz
 VSWR MAX: <1.15:1
 3rd ORDER IM: ≤ -155 dBc
 DIELECTRIC WITHSTANDING VOLTAGE: 1500V
 INSULATION RESISTANCE: 10000M OHM
 TEMPERATURE RANGE: -40°C TO +155°C
 FOR ANDREW LDF4-50A & LDF4RN-50A, CELWAVE 810918-001,
 CABLEWAVE FLC12-50J, EUPEN 5128 CABLE,
 RFS LCF12-50J & ICA12-50JPL

12	TUBING (NOT SHOWN)	1	HEAT SHRINK	----	<p>CUSTOMER OUTLINE DRAWING</p> <p>ALL DIMENSIONS ARE REFERENCE ONLY</p> <p>UNLESS OTHERWISE SPECIFIED: DIMENSIONS ARE IN INCHES AND [MILLIMETERS]</p> <p>DRAWN C. ZUNIGA 08/08/16</p> <p>CHECKED</p> <p>ORJ DRAWN C. ZUNIGA 08/08/16</p>	<p>RoHS COMPLIANT</p>	<p>RFconnectors DIVISION OF RF INDUSTRIES, LTD.</p> <p>7610 MIRAMAR RD. SAN DIEGO, CA 92126 (858) 549-6340 (858) 549-6345 FAX</p>	<p>DIN MALE CLAMP FOR 1/2" CABLE</p>	SIZE	CABLE GROUP	DWG NO.	REV		
11	COUPLING NUT	1	BRASS	WHITE BRONZE					PROPRIETARY AND CONFIDENTIAL	THIS DRAWING CONTAINS INFORMATION PROPRIETARY TO RF INDUSTRIES, ANY UNAUTHORIZED USE OF THIS DRAWING IS EXPRESSLY PROHIBITED WITHOUT WRITTEN PERMISSION FROM RF INDUSTRIES. ANY VIOLATION IS PUNISHABLE UNDER U.S. COPYRIGHT LAWS.	A	H1	RFD-1601C-H1	—
10	RETAINING RING	1	BeCu	WHITE BRONZE					SCALE:	ENGINEERING ID:	000000	SHEET 1 OF 1		
9	O-RING	1	SI RUBBER	----					NTS					
8	O-RING	1	SI RUBBER	----										
7	O-RING	1	SI RUBBER	----										
6	COLLET RING	1	BRASS	WHITE BRONZE										
5	COLLET FLARE	1	BRASS	WHITE BRONZE										
4	INSULATOR	1	PTFE	----										
3	PIN	1	BRASS	SILVER										
2	INSULATOR	1	PTFE	----										
1	BODY	1	BRASS	WHITE BRONZE										
#	DESCRIPTION	QTY	MATERIAL	FINISH										