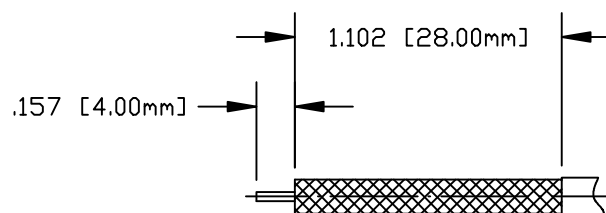
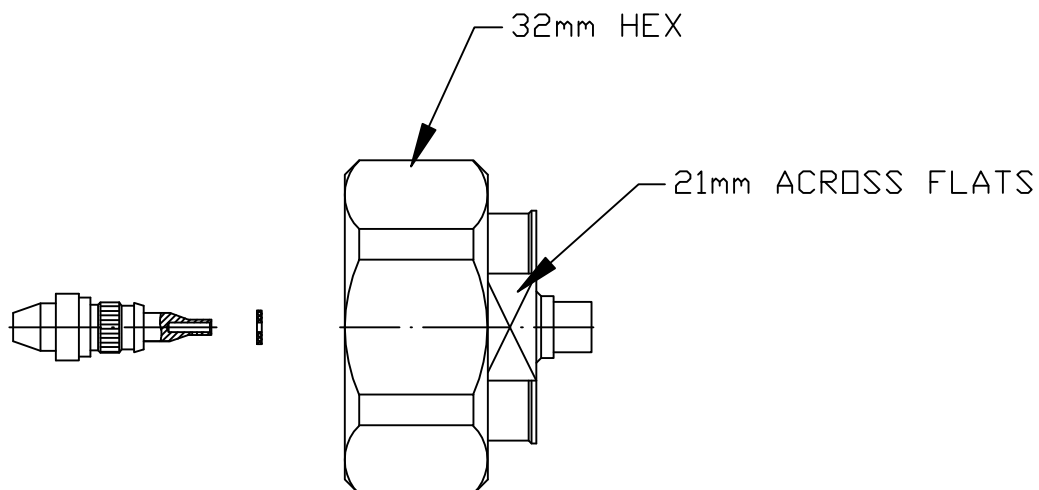


PART NO.

**RFD-1601-SR2**

REV	DESCRIPTION	DWN	DATE	APPROVED
-	ENGINEERING RELEASE	CZS	02/24/14	JDMc



TFT-402 CABLE

SPECIFICATIONS:

IMPEDANCE: 50 Ohms  
 FREQUENCY RANGE: 0-3 GHz  
 VSWR: <1.5:1 @ DC 3 GHz  
 INSERTION LOSS: -0.1dB @ 3 GHz  
 TEMPERATURE RANGE: -55°C TO 165°C

#	DESCRIPTION	QTY	MATERIAL	FINISH
6	HEX NUT	1	BRASS	WHITE BRONZE
5	O-RING	1	SILICONE	RED
4	INSULATOR DISC	1	PTFE	WHITE
3	PIN	1	BRASS	SILVER
2	INSULATOR	1	PTFE	WHITE
1	BODY	1	BRASS	WHITE BRONZE

CUSTOMER  
OUTLINE DRAWINGALL DIMENSIONS  
ARE REFERENCE ONLYUNLESS OTHERWISE SPECIFIED:  
DIMENSIONS ARE IN INCHES  
AND [MILLIMETERS]

DRAWN	JDM	10/22/15
CHECKED		
ORJ DRAWN	C. ZUNIGA	02/24/14

PROPRIETARY AND CONFIDENTIAL  
 THIS DRAWING CONTAINS  
 INFORMATION PROPRIETARY TO  
 RF INDUSTRIES. ANY  
 UNAUTHORIZED USE OF THIS  
 DRAWING IS EXPRESSLY  
 PROHIBITED WITHOUT WRITTEN  
 PERMISSION FROM RF  
 INDUSTRIES. ANY VIOLATION IS  
 PUNISHABLE UNDER U.S.  
 COPYRIGHT LAWS.

**RFconnectors**  
 DIVISION OF RF INDUSTRIES, LTD.

7610 MIRAMAR RD.  
 SAN DIEGO, CA 92126  
 (858) 549-6340  
 (858) 549-6345 FAX

**7/16 DIN PLUG**

SIZE	CABLE GROUP	DWG NO.	REV
A	SR2	<b>RFD-1601-SR2</b>	-
SCALE:	ENGINEERING ID:	SHEET 1 OF 1	
NTS	001787		