

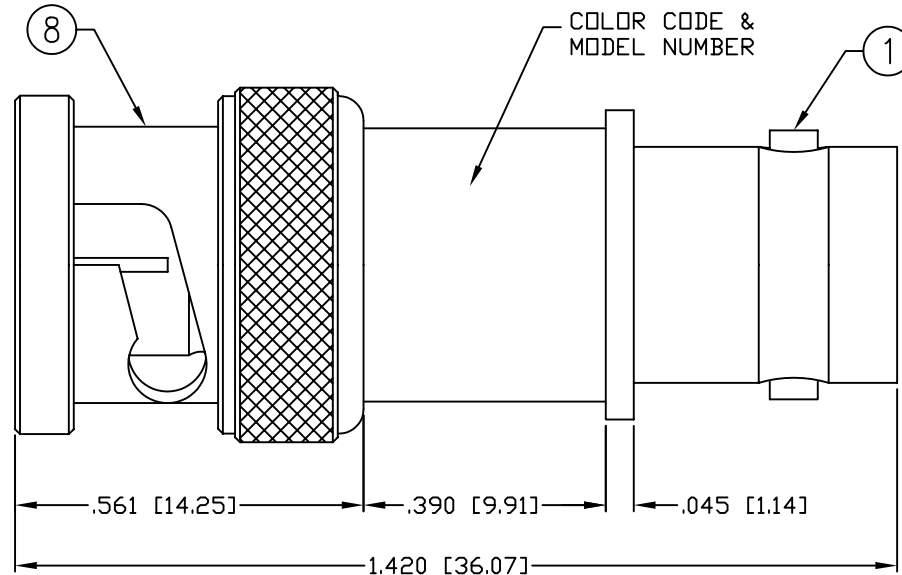
THIS DRAWING CONTAINS INFORMATION PROPRIETARY TO RF INDUSTRIES,  
 ANY UNAUTHORIZED USE OF THIS DRAWING IS EXPRESSLY PROHIBITED  
 WITHOUT WRITTEN PERMISSION FROM RF INDUSTRIES.  
 ANY VIOLATION IS PUNISHABLE UNDER U.S. COPYRIGHT LAWS.

ALL DIMENSIONS ARE REFERENCE ONLY

PART NO.

**RFA-4053**

REV	DESCRIPTION	DWN	DATE	APPROVED
-	ENGINEERING RELEASE	CZS	4/17/06	JDMc



**SPECIFICATIONS:**

IMPEDANCE: 50 Ohms  
 OPERATING FREQUENCY: 2.2 GHz  
 PEAK POWER: 1000 WATTS  
 ATTENUATION: +/- .5dB DC-1GHz  
 ATTENUATION: +/- .8dB 1-2.2GHz  
 VSWR: 1.2:1 DC-1GHz  
 VSWR: 1.4:1 1-2.2GHz  
 AVERAGE POWER: 1 WATT  
 20 dB

1	BODY	1	BRASS	NICKEL, 100μ <sup>2</sup>	000642	
2	INSULATOR	1	PTFE	----		
3	CONTACT	1	BRASS	SILVER/GOLD		
4	INSULATOR	1	PTFE	----		
5	RETAINING RING	1	BRASS	NICKEL, 100μ <sup>2</sup>		
6	SPRING	1	BRASS	NICKEL, 100μ <sup>2</sup>		
7	GASKET	1	SILICONE	----		
8	SHELL	1	DIECAST ZINC	----		
9						
10						
11						
12						
13						
14						
#	DESCRIPTION	QTY	MATERIAL	FINISH	APPROVALS	DATE

UNLESS OTHERWISE SPECIFIED:

DIMENSIONS ARE IN INCHES AND [MILLIMETERS]  
 UNLESS OTHERWISE NOTED TOLERANCES ARE:

DECIMALS	DIAMETER
----------	----------

7610 MIRAMAR RD  
 SAN DIEGO, CA 92126  
 (858) 549-6340  
 (858) 549-6345 FAX

**RF connectors**  
 DIVISION OF RF INDUSTRIES, LTD.

## BNC ATTENUATOR

20 dB

SIZE A	CABLE GROUP N/A	DWG NO. RFA-4053	REV -
-----------	--------------------	---------------------	----------

SCALE: NTS      CAD FILE OUTLINE      SHEET 1 OF 1