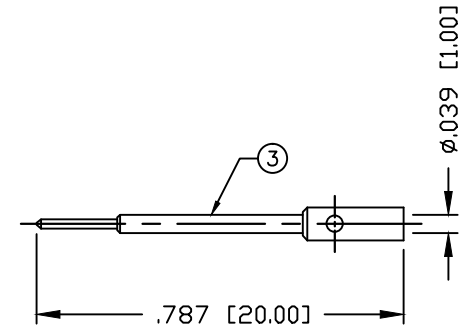
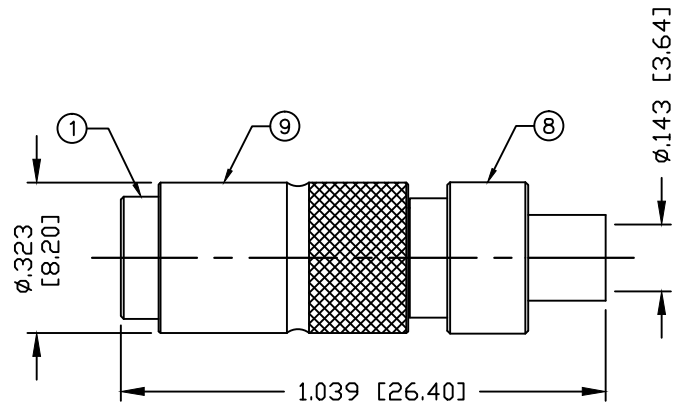
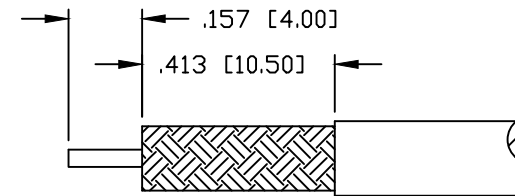


PART NO.

**RF123-7003-4SR2**

REV	DESCRIPTION	DWN	DATE	APPROVED
-	ENGINEERING RELEASE	CZS	07/17/17	JDMc

SOLDER ONLYRECOMMENDED STRIPPING DIMENSIONSSPECIFICATIONS:

IMPEDANCE: 50 Ohms  
 FREQUENCY RANGE: 0-3 GHz  
 RETURN LOSS: 18dB THRU 3 GHz  
 PIM:  $\leq -160$  dBc  
 INSERTION LOSS(dB):  $1.1 \times \sqrt{f(\text{GHz})}$  MAX  
 WORKING VOLTAGE: 250 V rms @ sea level  
 TEMPERATURE RANGE: -65°C TO 155°C  
 INSULATION RESISTANCE: 5k M Ohms min.  
 FOR .141, RG-402/U, TFT-402LF

9	SHELL	1	BRASS	WHITE BRONZE
8	PRESS BODY	1	BRASS	WHITE BRONZE
7	RING	1	BRASS	WHITE BRONZE
6	GROUND RING	1	BeCu	WHITE BRONZE
5	SPRING	1	SS	----
4	BALL	1	SS	----
3	PIN	1	BRASS	SILVER
2	INSULATOR	1	PTFE	----
1	BODY	1	BRASS	WHITE BRONZE
#	DESCRIPTION	QTY	MATERIAL	FINISH

CUSTOMER  
OUTLINE DRAWINGALL DIMENSIONS  
ARE REFERENCE ONLYUNLESS OTHERWISE SPECIFIED:  
DIMENSIONS ARE IN INCHES  
AND [MILLIMETERS]

DRAWN	C. ZUNIGA	07/17/17
CHECKED		
ORJ DRAWN	C. ZUNIGA	07/17/17

**RoHS  
COMPLIANT**

PROPRIETARY AND CONFIDENTIAL  
 THIS DRAWING CONTAINS  
 INFORMATION PROPRIETARY TO  
 RF INDUSTRIES, ANY  
 UNAUTHORIZED USE OF THIS  
 DRAWING IS EXPRESSLY  
 PROHIBITED WITHOUT WRITTEN  
 PERMISSION FROM RF  
 INDUSTRIES. ANY VIOLATION IS  
 PUNISHABLE UNDER U.S.  
 COPYRIGHT LAWS.

**RFconnectors**

7610 MIRAMAR RD.  
 SAN DIEGO, CA 92126  
 (858) 549-6340  
 DIVISION OF RF INDUSTRIES, LTD. (858) 549-6345 FAX

**1.0/2.3 PUSH-PULL PLUG**

SIZE	CABLE GROUP	DWG NO.	REV
A	N/A	<b>RF123-7003-4SR2</b>	—
SCALE:	ENGINEERING ID:	SHEET 1 OF 1	
NTS	001808		