

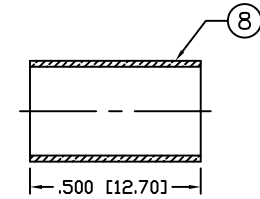
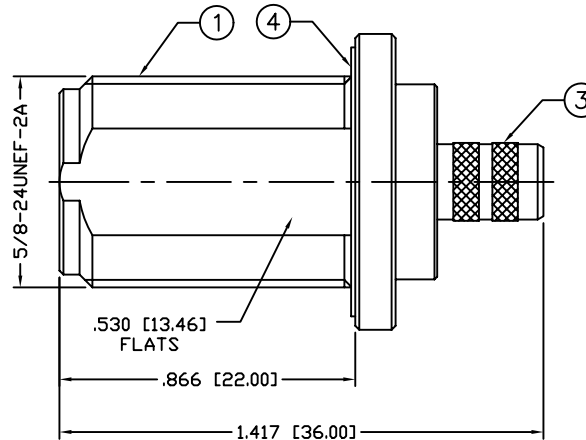
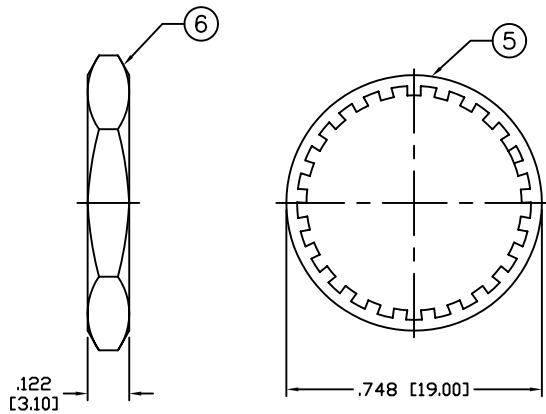
THIS DRAWING CONTAINS INFORMATION PROPRIETARY TO RF INDUSTRIES.
 ANY UNAUTHORIZED USE OF THIS DRAWING IS EXPRESSLY PROHIBITED
 WITHOUT WRITTEN PERMISSION FROM RF INDUSTRIES.
 ANY VIOLATION IS PUNISHABLE UNDER U.S. COPYRIGHT LAWS.

PART NO.

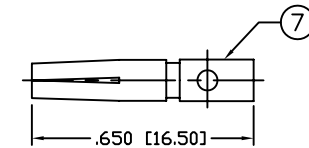
RFN-1022-X

REV	DESCRIPTION	DWN	DATE	APPROVED
-	ENGINEERING RELEASE	CZS	9/15/04	JDMc

ALL DIMENSIONS ARE REFERENCE ONLY



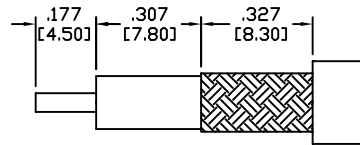
RECOMMENDED CRIMP DIE: .255"



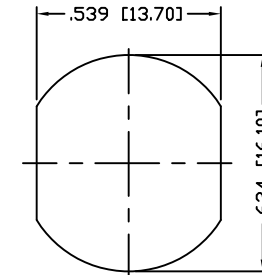
RECOMMENDED CRIMP DIE: .100"

SPECIFICATIONS:

IMPEDANCE: 50 Ohms
 FREQUENCY RANGE: 0-11 GHz
 VSWR: 1.3 Max. @ 9 GHz
 INSERTION LOSS: .06 dB Max. X $\sqrt{f\text{GHz}}$
 WORKING VOLTAGE: 1k V rms @ sea level
 TEMPERATURE RANGE: -65°C TO 85°C
 INSULATION RESISTANCE: 5k M Ohms min.
 FOR RG-8/X, BELDEN 9258, MAXRAD M8X-100 &
 MBX-1000, MICRO 8/U, REMEE 1600, SAXTON 8315 &
 TIMES LMR-240 & LMR-240 ULTRAFLEX CABLE



RECOMMENDED STRIPPING DIMENSIONS



RECOMMENDED MOUNTING HOLE

1	BODY	1	BRASS	ALBALOY, 80μ"	008974	UNLESS OTHERWISE SPECIFIED:
2	INSULATOR	1	PTFE	----		
3	FERRULE STUD	1	BRASS	ALBALOY, 80μ"		
4	GASKET	1	SILICONE	----		
5	LOCK WASHER	1	BRASS	ALBALOY, 80μ"		
6	HEX NUT	1	BRASS	ALBALOY, 80μ"		
7	CONTACT	1	PHOS BRONZE	GOLD, 30μ"		
8	FERRULE	1	BRASS	ALBALOY, 80μ"		
9						
10					DRAWN	
11					C. ZUNIGA	11/04/04
12					CHECKED	
13					ORJ DRAWN	
14					C. ZUNIGA	11/04/04
#	DESCRIPTION	QTY	MATERIAL	FINISH	APPROVALS	DATE

UNLESS OTHERWISE SPECIFIED:

DIMENSIONS ARE IN INCHES AND [MILLIMETERS]
 UNLESS OTHERWISE NOTED TOLERANCES ARE:
 DECIMALS DIAMETER

RFconnectors
 DIVISION OF RF INDUSTRIES, LTD.

7610 MIRAMAR RD
 SAN DIEGO, CA 92126
 (858) 549-6340
 (858) 549-6345 FAX

N JACK, CRIMP

BULKHEAD

SIZE	CABLE GROUP	DWG NO.	REV
A	X	RFN-1022-X	-
SCALE:	NTS	CAD FILE	OUTLINE
		SHEET	1 OF 1