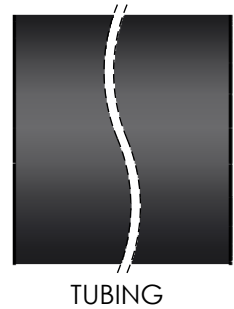
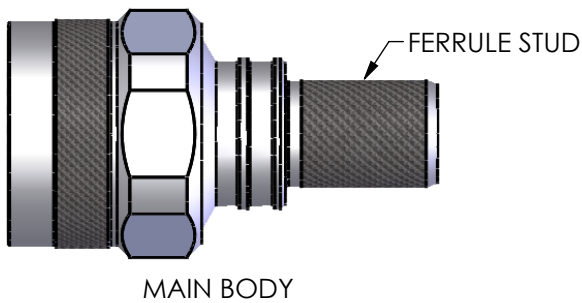
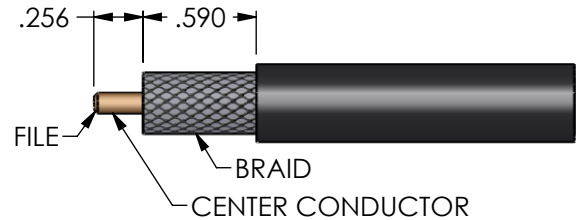


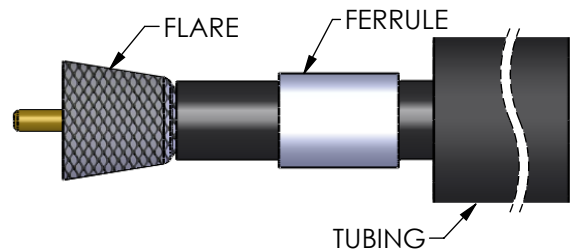
CABLE ASSEMBLY INSTRUCTIONS - RFN-1006-49I



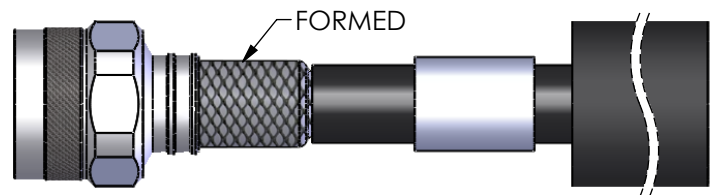
Cut end of cable evenly. Strip cable to dimensions shown. All cuts are to be clean and square. Do not nick braid, dielectric or center conductor. Add a chamfer to cable center conductor using a fine file or a sharpening tool.



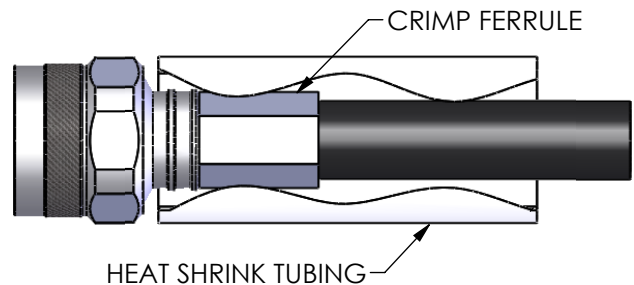
Slide tubing & ferrule over cable. Flare cable braid



Slide ferrule stud under the braid until it stops. Slide ferrule over braid.



Crimp the ferrule with .429" die crimp tool. Trim any extra braid extending out of ferrule end. Position tubing over ferrule and heat shrink it using a hot air gun.



DRAWN BY C. ZUNIGA	DATE 05/02/13	APPROVED BY	DATE	DESCRIPTION N PLUG CRIMP FOR LMR-400	DWG/PART # RFN-1006-49I AP
-----------------------	------------------	-------------	------	-----------------------------------------	--------------------------------------

RF CONNECTORS

7610 Miramar Road, San Diego, CA 92126-4202 - (858) 549-6340
(800) 233-1728 - Fax (858) 549-6345 E-mail: rfi@rfindustries.com - www.rfindustries.com